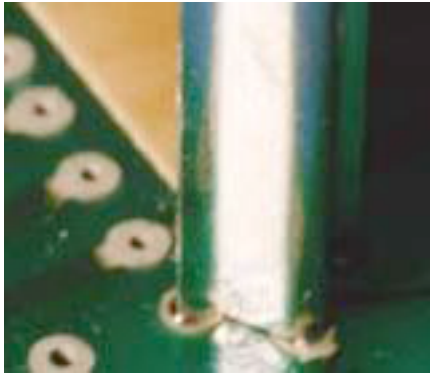


# MC-10 Preform Jumpers Card Guide



## Specifications

### Materials:

**Material:** #260 Brass

**Finish:** Bright, Electro-Tin

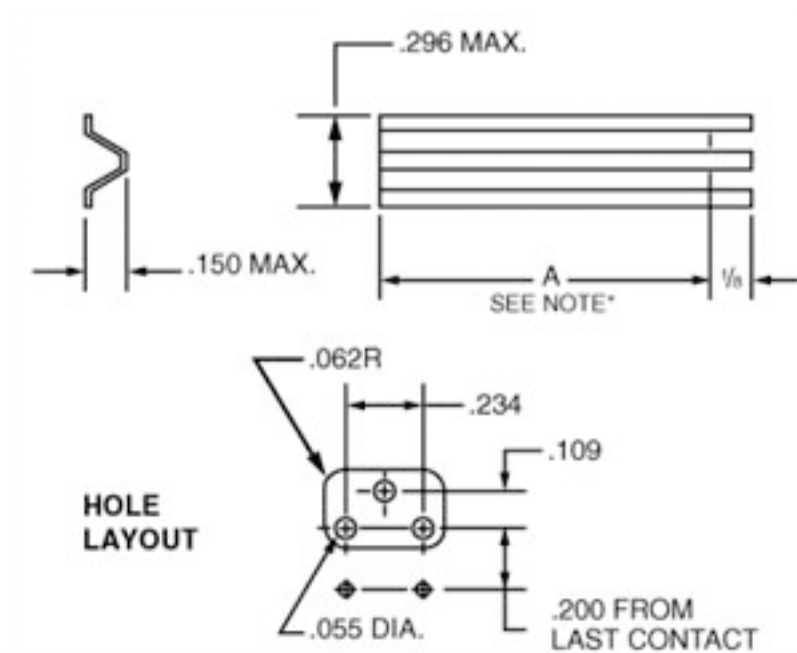
### Electrical:

**Maximum Current:** 2.0 amperes

### Mechanical:

**Mounting Holes:** .055" Diameter

## MC-10 Card Guide Layout



\* **Note:** "A" dimension may be specified from .25" minimum to 1.375" maximum in .125" increments.

Specify: MC-10 Series and "A" diameter length.

## Ordering Information

### Example:

MC-10 - "A"

● **Series Designation:**  
MC-10

● **Diameter Length:**  
.25" to 1.375" in  
.125" increments

## **Product Description**

### **Certificate of Compliance with Directive 2002/95/EC RoHS and REACH Regulations EC 1907/2006**

This is to certify that Components Corporation designs, manufactures and supplies products to our customers that are in compliance with RoHS Directive 2002/95/EC and REACH Regulations EC 1907/2006. This also pertains to procurement of raw material, component parts and processes.