

BC 501 Battery Contacts

Battery Contact



Specifications

Materials

Contact Material: Phosphor Bronze #510 Alloy

Finish: .00001 Gold over .00002 Nickel

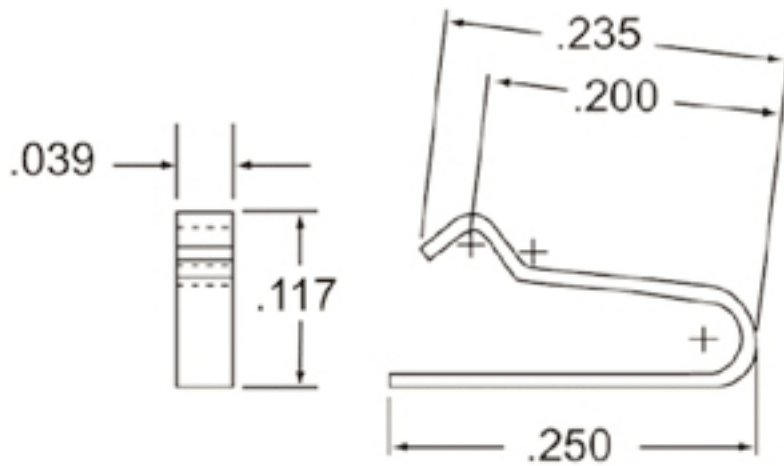
Package Size: 7"x12mm: 1000 pieces per reel

Taping Specification: EIA-481

Electrical:

Maximum Current: 2.0 amperes

BC-501 Series Contacts



Ordering Information

Example:

BC-501 - G - 1

● **Series Designation:**
BC-501

● **Quantity Per Reel:**
1 = 1,000 pieces

● **Finish:**
G = Gold over Nickel

Product Description

Developed specifically for portable electronic devices, the BC-501 Battery Contact from Components Corporation produces a highly reliable spring contact due to its exclusive wireform design. The free-standing BC-501 contacts can be randomly placed on a circuit board allowing better layout and design flexibility. Manufactured using a new generation of Components Corporation proprietary technology, the BC-501 eliminates standard plastic housing, reducing overall package footprint and weight.

The BC-501 is manufactured from phosphor bronze wire with gold plating for the highest possible performance. Suitable for instrumentation and test equipment, medical devices and a variety of hand-held electronics, the BC-501 can handle a 2 amperes maximum current. The battery contacts are packaged on 7" (1000 piece) reels for automated placement and soldering equipment.

Certificate of Compliance with Directive 2002/95/EC RoHS and REACH Regulations EC 1907/2006

This is to certify that Components Corporation designs, manufactures and supplies products to our customers that are in compliance with RoHS Directive 2002/95/EC and REACH Regulations EC 1907/2006. This also pertains to procurement of raw material, component parts and processes.